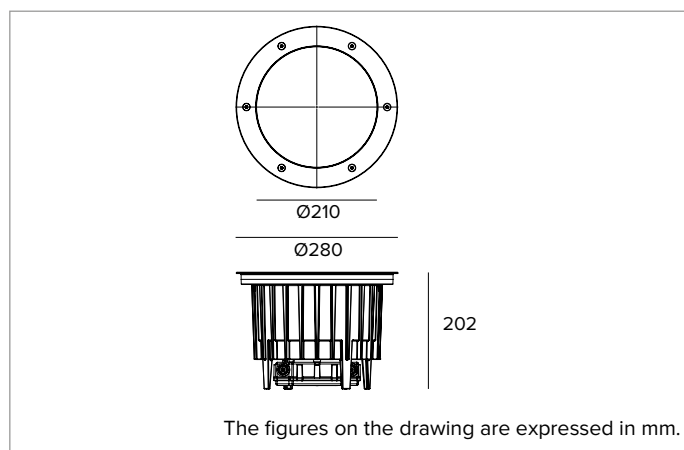


## E013WWH830DACCB | KEPLERO 280 Wall Washer

Professional inground Wall Washer projector fitted with LED sources



	3000K	H(m)	D1(m)	D2(m)	E <sub>max</sub> (lx)		
	Ra80	38°	100°				
Fixture Power	35W	1	0.80	2.51	1465		
Source Flux	4919lm	2	1.60	5.02	366		
Fixture Flux	2506lm	3	2.39	7.53	163		
Efficacy	72lm/W	4	3.19	10.04	92		
TS853	I <sub>max</sub> =393cd/klm	I <sub>max</sub>	1935cd	5	3.99	12.55	59



### SOURCE

High efficiency Chip on Board LED Ra80. 3500K colour temperature available on request.

**Energy efficiency class:** D

**Nominal power:** 30W

**Nominal flux:** 4919lm

**Colour rendering index:** 80

**Rf:** 83

**Rg:** 96

**CCT nominal:** 3000K

**Lifetime (L80/B10):** >50000h tq +25°C

### ILLUMINOTECHNICAL CHARACTERISTICS

A Wall Washer optical system composed of a PMMA lens, a highly reflective anodised aluminium reflector and a holographic filter.

**Optic:** WALL WASHER

**Beam angles:** WW

**Optical efficiency:** 51%

**Fixture flux:** 2506lm

**Luminous efficacy:** 72lm/W

**Photobiological safety:** Compliant with RG1 low risk group

### MECHANICAL CHARACTERISTICS

Die-cast aluminium body with 3 layers of protection: anodised, cataphoresis and black paint. Brushed stainless steel (AISI 316) ultra flat decorative ring with bevelled edge (copper bronze finish). Version with extra-clear protective glass. Anti theft stainless steel A4 Torx screws.

**Colour and finish:** Copper bronze

**Weight:** 5Kg

**Version:** STANDARD

**Degree of protection:** IP66,IP67,IP68

**Mechanical Resistance:** IK10

### ELECTRICAL CHARACTERISTICS

Integrated IP68 DALI power supply equipped with IP68 waterproof connectors set for connection to the mains with a H07RN8-F (max2x2.5mm<sup>2</sup>) cable. Fixture with a pass-through line. Casambi control system available using a dedicated accessory (only for DALI version products).

**Fixture Power:** 35W

**Power supply:** 220-240Vac 50/60Hz

**Insulation Class:** CLASS 2

**Type of driver / Control:** DALI

**Driver included:** YES

**Class F:** YES

**SAFE FLICKER:** PstLM=<1 and SVM=<0.4 (IEC TR 61547-1 and IEC TR 63158), to ensure a more comfortable and safe light

**Ambient temperature:** -25°C / +35°C

### INSTALLATION

Nylon installation sleeve to be ordered separately as an accessory. The sleeve is pre-set for both flush or straight edge installation. 20kN resistance to static load.

### NOTES

All light fixtures must be completed with an installation sleeve. IP68: the projector is not suitable for permanent underwater installation but can withstand temporary accidental immersion to a depth of 2 metres (max.24h). All versions of the KEPLERO family meet all the requirements of EN 60598-2-13 standard regarding drive-over and walk-over performances. Low temperatures on the glass make them suitable even for installation in "special areas", such as spaces for children. Uses the "Waterblock Plus" technical solution that involves resin coating the connection cables and completely resin coating the integrated driver limiting the risk of humidity reaching the fixture. 110-277Vac version available on request. Commissioning of the control system via free APP; the intervention of a specialist technician can be quoted on request.

### WARNING

Luminaire designed for disposal/recycling at end-of-life. Replaceable (LED only) light source by a professional. Replaceable control gear by a professional.

*Due to the technological evolution of the electronic components, the data provided may be updated, and as such, confirmation must be requested during the order process.*

*Luminous flux and power supply have +/-10% tolerances with respect to the indicated value. tq +25°C (CIE 121).*

*We reserve the right to make technical changes.*

Targetti Sankey S.r.l.  
Via Pratese, 164  
50145 Firenze - Italy  
Tel: +39 055 37911  
targetti.com  
targetti@targetti.com

CCIAA Firenze  
Share Capital:  
€ 500.000,00  
VAT N. (IT):  
01537660480  
R.E.A: FI-275656

**TARGETTI**

## E013WWH830DACCB | KEPLERO 280 Wall Washer

Professional inground Wall Washer projector fitted with LED sources

### Related codes

#### Sleeve



Code

**1E2394**

Grey nylon installation sleeve.  
The sleeve is pre-set for both flush or straight edge installation.  
Complete with dedicated cover cap for installations in concrete.  
Flush ring Ø 286 H.225.  
Straight edge ring Ø 271 H. 223.

### Accessories

#### Tool



Code

**1E2495**

Features TORX HEAD, TX 30.



Code

**1E2496**

Metal handle for fixture removal



Code

**1E0388**

Sucker tool to raise the glass.

#### Connector



Code

**1E2769**

Linear connection box IP66/IP68.  
5 poles max. wire section 1.5mm<sup>2</sup>.  
Cable diameter range from 7 to 12mm.

Due to the technological evolution of the electronic components, the data provided may be updated, and as such, confirmation must be requested during the order process.  
Luminous flux and power supply have +/-10% tolerances with respect to the indicated value. tq +25°C (CIE 121).

We reserve the right to make technical changes.

Targetti Sankey S.r.l.  
Via Pratese, 164  
50145 Firenze - Italy  
Tel: +39 055 37911  
targetti.com  
targetti@targetti.com

CCIAA Firenze  
Share Capital:  
€ 500.000,00  
VAT N. (IT):  
01537660480  
R.E.A: FI-275656

**TARGETTI**

## E013WWH830DACCB | KEPLERO 280 Wall Washer

### Professional inground Wall Washer projector fitted with LED sources

#### Control systems



Code

**1E3048**

IP67 wireless control unit with DALI interface.

It generates a local DALI2 bus, enabling a direct connection to a DALI interface LED driver.

The module can only be used in a closed system and cannot be connected to an existing DALI network.

The module is wireless controlled using a Casambi app for smartphones and tablets using Bluetooth 5.0 technology.

The devices automatically create an adaptive, robust, and reliable wireless mesh network, allowing for the easy and efficient management of a high number of fixtures.

The control unit is preset to the DALI 1CH profile, meaning the device can control a single DALI driver with broadcast commands.

In addition to the DALI broadcast, other operating modes are available, such as:

- Button (normally open)
- Control unit 0/1-10V
- Control unit DALI Tunable White DT8
- Presence sensor



Code

**1E4369**

IP67 Extender for wireless control of LED driver with dimming DALI interface based on Casambi technology.

It has a DALI2 output with the capacity to control up to 40 lighting fixtures.

With the addition of a further external BUS DALI power supply it is possible to control up to 64 fixtures.

IP67 Extender is preset to the DALI broadcast profile, meaning all the luminaires connected to it are dimmable at the same level.

In addition to the DALI broadcast other operating modes are available, such as:

- EXTENDER DALI 8CH
- EXTENDER DALI Tunable White
- EXTENDER DALI 4CH
- EXTENDER DALI DT8 Tunable White

#### Surge protector



Code

**A013D**

Surge protector compatible with CLASS II lighting fixtures.

DALI, DMX, 0-10V datalines compliance.

Operating voltage 230-277Vac.

SPD type 2+3.

Max surge protection 10kV.

CLASS II

IP65

*Due to the technological evolution of the electronic components, the data provided may be updated, and as such, confirmation must be requested during the order process.*

*Luminous flux and power supply have +/-10% tolerances with respect to the indicated value. tq +25°C (CIE 121).*

*We reserve the right to make technical changes.*

Targetti Sankey S.r.l.  
Via Pratese, 164  
50145 Firenze - Italy  
Tel: +39 055 37911  
targetti.com  
targetti@targetti.com

CCIAA Firenze  
Share Capital:  
€ 500.000,00  
VAT N. (IT):  
01537660480  
R.E.A: FI-275656

# TARGETTI